



ZANOTTI Spa
Via M.L. King, 30
46020 - Pegognaga (MN) - ITALY
Tel. +39 0376 5551
Fax +39 0376 536554
info@zanotti.com

Technical specifications

Version 1.1.1

Model:

MSB225T02F

Class:

Uniblock SB

Technical data

Characteristics	M.U.	Value
Working temperature	°C	+10 ÷ -5
Starting mode		Direct
Voltage	Volt-Ph-Hz	400/3N~/50
Rated input	kW*	1,5
Rated input	Amp	4,3
Peak current	Amp	22
Max current	Amp	5,9
Refrigerant		R404A
Defrost		Hot gas
Mass	Kg	75

Compressor

Type		Hermetic
Nominal power	kW	0,9

Condenser

Air flow	m³/h	1400
----------	------	------

Evaporator

Air flow	m³/h	1100
Air throw	m**	4



Power data

Tc °C	Ta °C	P watt	P Kcal/h	V100 m³	V80 m³	V60 m³
10	20	3316	2852	35	32	29
	25	3179	2734	33	30	27
	30	3035	2610	31	28	26
	35	2884	2480	28	25	23
	40	2729	2347	26	24	22
5	45	2574	2214	24	22	20
	20	2922	2513	29	26	24
	25	2799	2407	27	25	22
	30	2667	2294	25	23	21
	35	2530	2176	23	21	19
0	40	2391	2056	21	19	17
	45	2256	1940	19	17	16
	20	2555	2197	24	22	20
	25	2445	2103	22	20	18
	30	2329	2003	20	18	17
-5	35	2211	1901	18	16	15
	40	2092	1799	18	16	15
	45	1974	1698	16	15	13
	20	2191	1884	18	16	15
	25	2040	1754	17	15	14
-5	30	1911	1643	15	14	12
	35	1793	1542	14	13	12
	40	1675	1440	12	11	10
	45	1548	1331	11	10	9,1

* When normally running

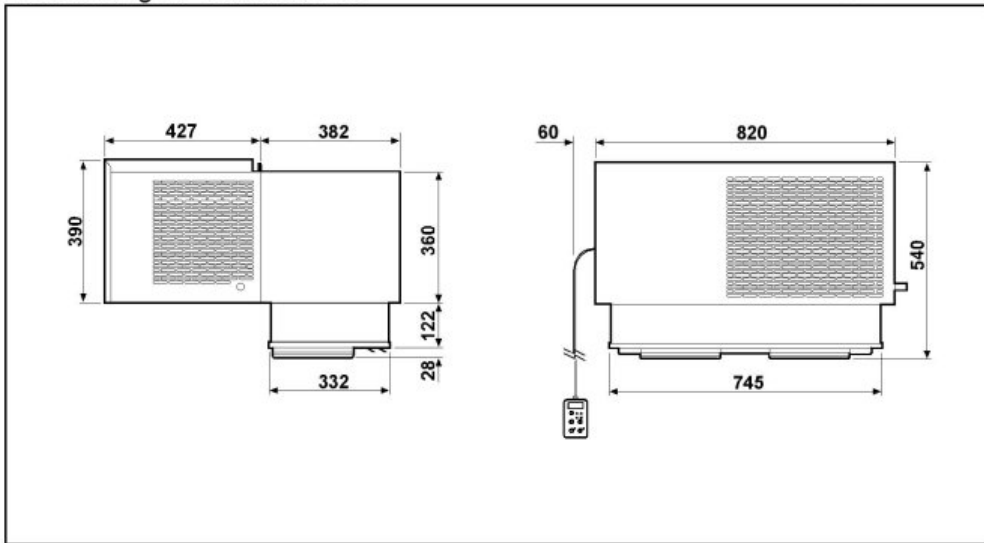
** Use air throw as a base. Air throw is affected by many factors such as height of room, product storage, location of evaporator, etc.

Tc: Coldroom temp. - Ta: External temp.

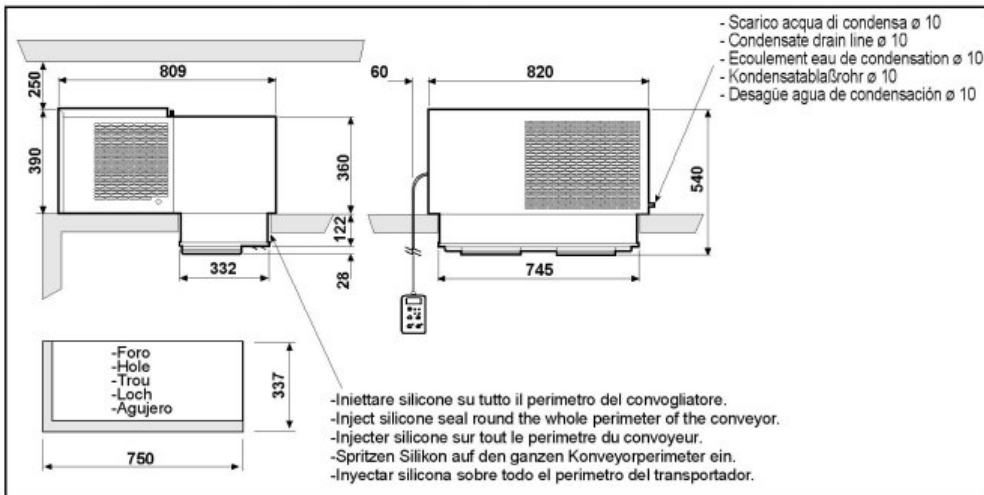
P: Refrigerant capacity - V: Recommended cold-room volume

Dimensioni - Dimensions - Dimensions
Abmessungen - Dimensiones

SB225

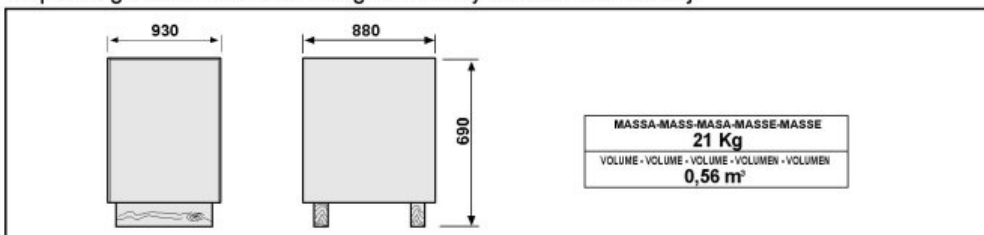


Schema di montaggio - Mounting scheme - Schema de montage
Montageschema - Esquema de montaje



- * Raccomandazioni in sede di installazione e per il controllo fornite sul manuale di installazione
- * To be advised at time of order for factory installation and operating instructions
- * Recommendations au moments d'installations et pour le contrôle fournis sur le manuel d'installation
- * Empfehlungen für die Installationsphase und zur Kontrolle, die im Handbuch zur Installation enthalten sind
- * Por cuanto respecta a recomendaciones de instalación y control ver manual de instalación

Massa e misure imballi - Packing mass and dimensions - Masse et dimensions emballages
Verpackungsmasse und-abmessungen - Masa y medidas del embalaje



ZANOTTI S.p.A.